

12SB5P (12V 5Ah)

SPECIFICATIONS

Nominal Voltage (V) 12V

Nominal Capacity

20 hour rate (0.250A to 10.50V)	5Ah
10 hour rate (0.475A to 10.50V)	4.75Ah
5 hour rate (0.850A to 10.20V)	4.25Ah
1C (5A to 9.60V)	2.83Ah
3C (15A to 9.60V)	2Ah

Weight Approx. 1.9kg (4.18lbs)

Internal Resistance (@1kHz) Approx. 19mΩ

Maximum Discharge Current

For 5 seconds 75A

Charging Methods @25°C (77°F)

Cycle Use:

Charging Voltage	14.4V to 15.0V
Coefficient -5.0mV/°C/Cell	
Maximum Charging Current	1.5A

Standby Use:

Float Charging Voltage	13.50V to 13.80V
Coefficient -3.0mV/°C/Cell	

Operating Temperature Range

Charge	-15°C (5°F) to +40°C (104°F)
Discharge	-15°C (5°F) to +50°C (122°F)
Storage	-15°C (5°F) to +40°C (104°F)

Charge Retention (Shelf Life) @20°C (68°F)

1 month	92%
3 months	90%
6 months	80%

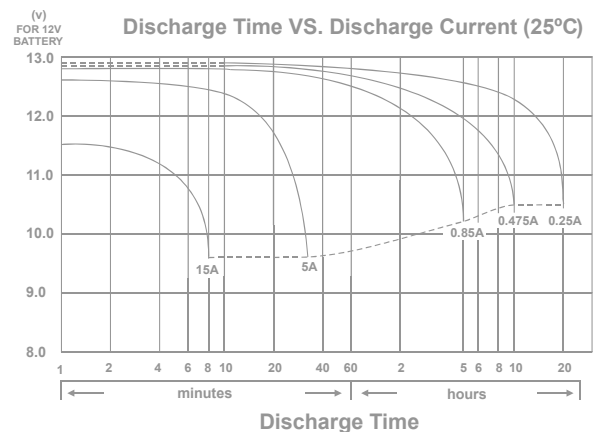
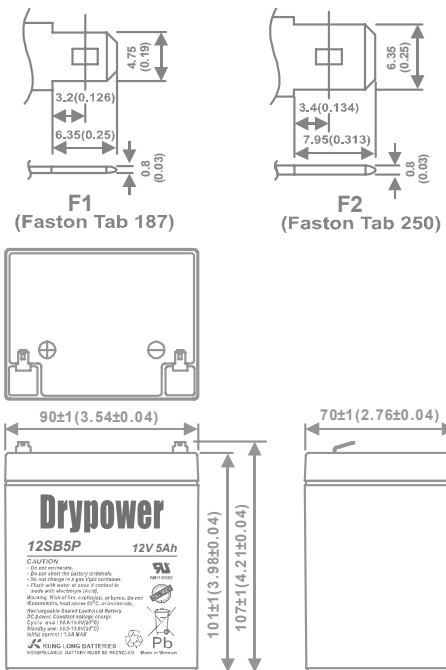
Case Material ABS

Terminal F1 or F2 (Faston Tab 187 or 250)

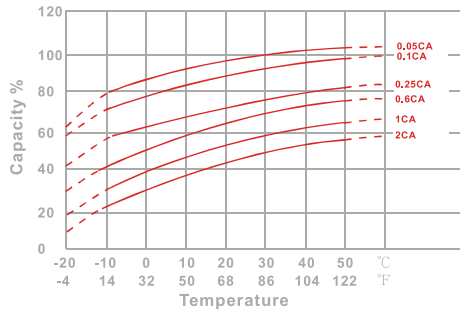


DIMENSIONS

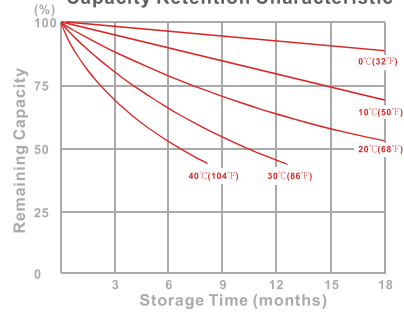
mm (inch)



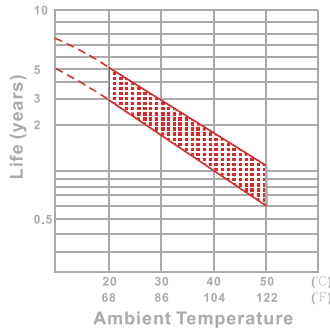
Effect of Temperature on Capacity 25°C(77°F)



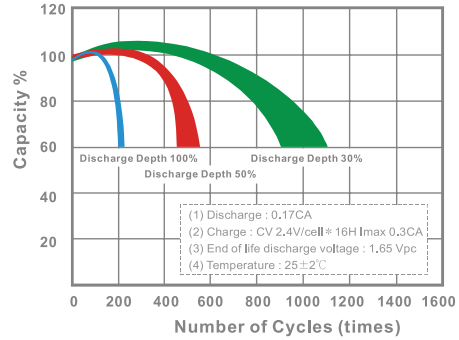
Capacity Retention Characteristic



Trickle (or float) Service Life



Cycle Service Life



- PERFORMANCE DATA

Discharge Rates in Watts to Various End Voltages at 25°C (77°F)

End Voltage		1.85V	1.80V	1.75V	1.70V	1.67V	1.65V	1.60V
Time	min	218	237	249	261	266	273	282
5	min	154	166	175	181	184	188	194
10	min	118	127	131	135	137	139	142
15	min	66.9	70.3	72.7	75.1	75.9	76.8	77.5
30	min	35.7	37.6	38.8	40.2	40.9	41.6	42.4
60	min	18.8	20.3	21.2	21.9	22.3	22.8	23.5
120	min	15.2	16.3	17.1	17.8	18.1	18.4	18.9
180	min	12.1	12.9	13.6	14.0	14.2	14.4	14.7
240	min	10.4	11.2	11.7	11.9	12.0	12.1	12.3
300	min	6.05	6.53	6.89	7.02	7.08	7.14	7.23
600	min	3.18	3.43	3.62	3.69	3.72	3.75	3.80
1200	min							

- Discharge Rates in Amperes to Various End Voltages at 25°C (77°F)

End Voltage		1.85V	1.80V	1.75V	1.70V	1.67V	1.65V	1.60V
Time	min	17.8	21.7	23.9	25.8	26.4	27.0	27.8
5	min	13.2	14.8	15.7	16.2	16.6	16.9	17.3
10	min	9.92	10.5	10.9	11.1	11.2	11.3	11.5
15	min	5.84	6.15	6.26	6.38	6.42	6.47	6.55
30	min	3.04	3.20	3.38	3.46	3.49	3.53	3.59
60	min	1.58	1.70	1.79	1.87	1.91	1.94	1.99
120	min	1.27	1.35	1.41	1.47	1.49	1.52	1.55
180	min	1.00	1.07	1.11	1.15	1.16	1.18	1.21
240	min	0.851	0.898	0.919	0.942	0.953	0.962	0.978
300	min	0.497	0.506	0.514	0.521	0.524	0.529	0.535
600	min	0.268	0.274	0.279	0.284	0.286	0.287	0.291
1200	min							

All data on the spec. sheet is an average value:

The tolerance range : X<6min(+15%~-15%), 6min ≤ X<10min(+12%~-12%), 10min ≤ X < 60min(+8%~-8%), X ≥ 60min(+5%~-5%)

Performance may vary depending on application. All specifications are correct at time of creation. All specifications and operation conditions contained in this datasheet are subject to change or improvement without prior notice to the user. This data is for evaluation purposes only. No guarantee is intended or implied by this data. For clarification and updated information, please contact us.