

### 12SB2.9PR 12Volt 2.9Ah

#### Specifications

Nominal Voltage(V) **12V**

#### Nominal Capacity

20 hour rate	(0.145A to 10.50V)	<b>2.9Ah</b>
10 hour rate	(0.276A to 10.50V)	<b>2.755Ah</b>
5 hour rate	(0.493A to 10.20V)	<b>2.465Ah</b>
1 C	(2.9A to 9.60V)	<b>1.643Ah</b>
3 C	(8.7A to 9.60V)	<b>1.16Ah</b>

Weight **Approx. 1.24kg(2.73Lbs.)**

Internal Resistance (at 1KHz) **Approx. 30 mΩ**

#### Maximum Discharge Current for

5 seconds: **58A**

#### Charging Methods at 25°C (77°F)

##### Cycle use:

Charging Voltage **14.4 to 15.0V**

Coefficient **-5.0mV/°C/cell**

Maximum Charging Current : **0.87A**

##### Standby use:

Float Charging Voltage **13.50 to 13.80V**

Coefficient **-3.0mV/°C/cell**

#### Operating Temperature Range

Charge **-15°C (5°F) to 40°C (104°F)**

Discharge **-15°C (5°F) to 50°C (122°F)**

Storage **-15°C (5°F) to 40°C (104°F)**

#### Charge Retention (shelf life) at 20°C (68°F)

1 month	<b>92%</b>
3 month	<b>90%</b>
6 month	<b>80%</b>

Case Material **ABS**

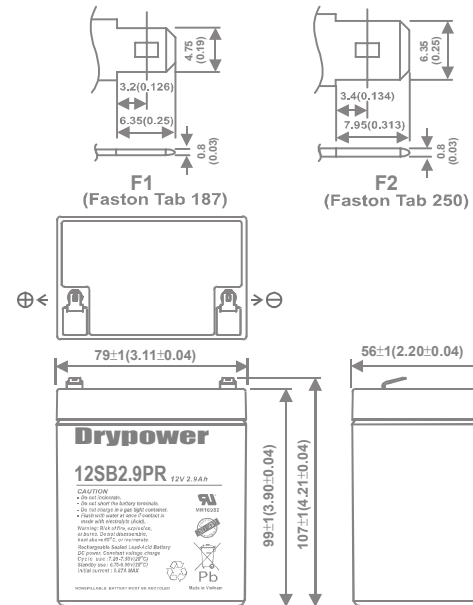
(Option: UL94 HB & UL94 V-0 flame retardant )

Terminal **F1 or F2 (Faston Tab 187 or 250)**

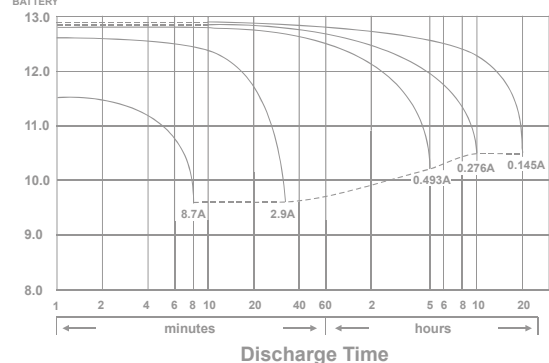


#### Dimensions

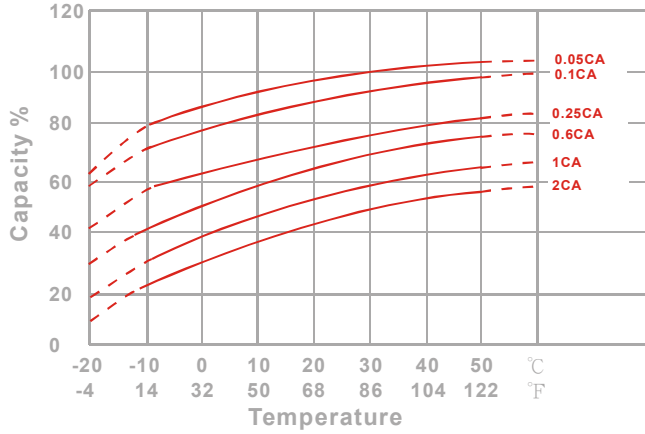
mm(inch)



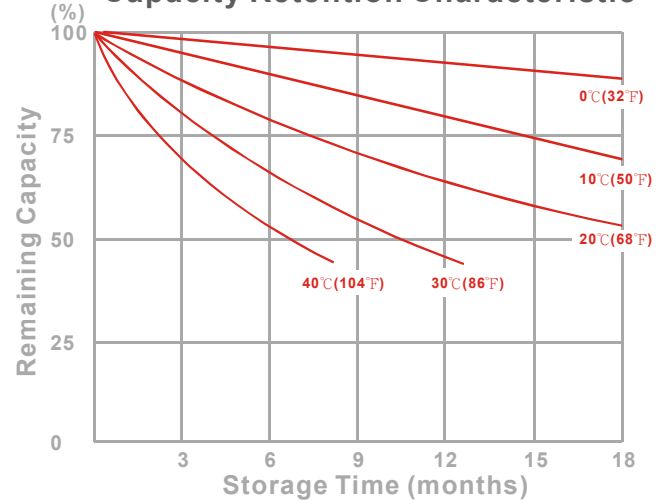
(V) FOR 12V BATTERY Discharge Time VS. Discharge Current (25°C)



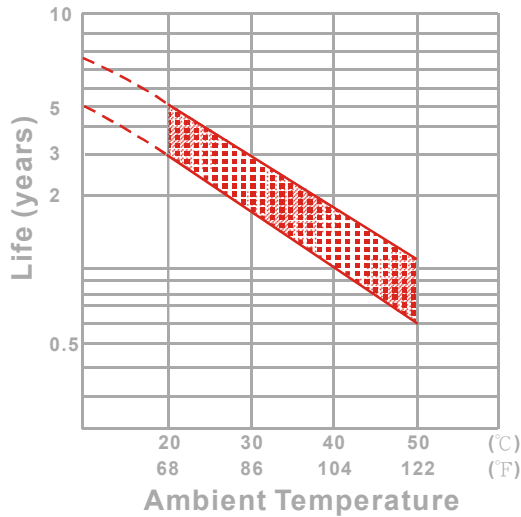
**Effect of Temperature on Capacity 25°C (77°F)**



**Capacity Retention Characteristic**



**Trickle (or float) Service Life**



**Cycle Service Life**

